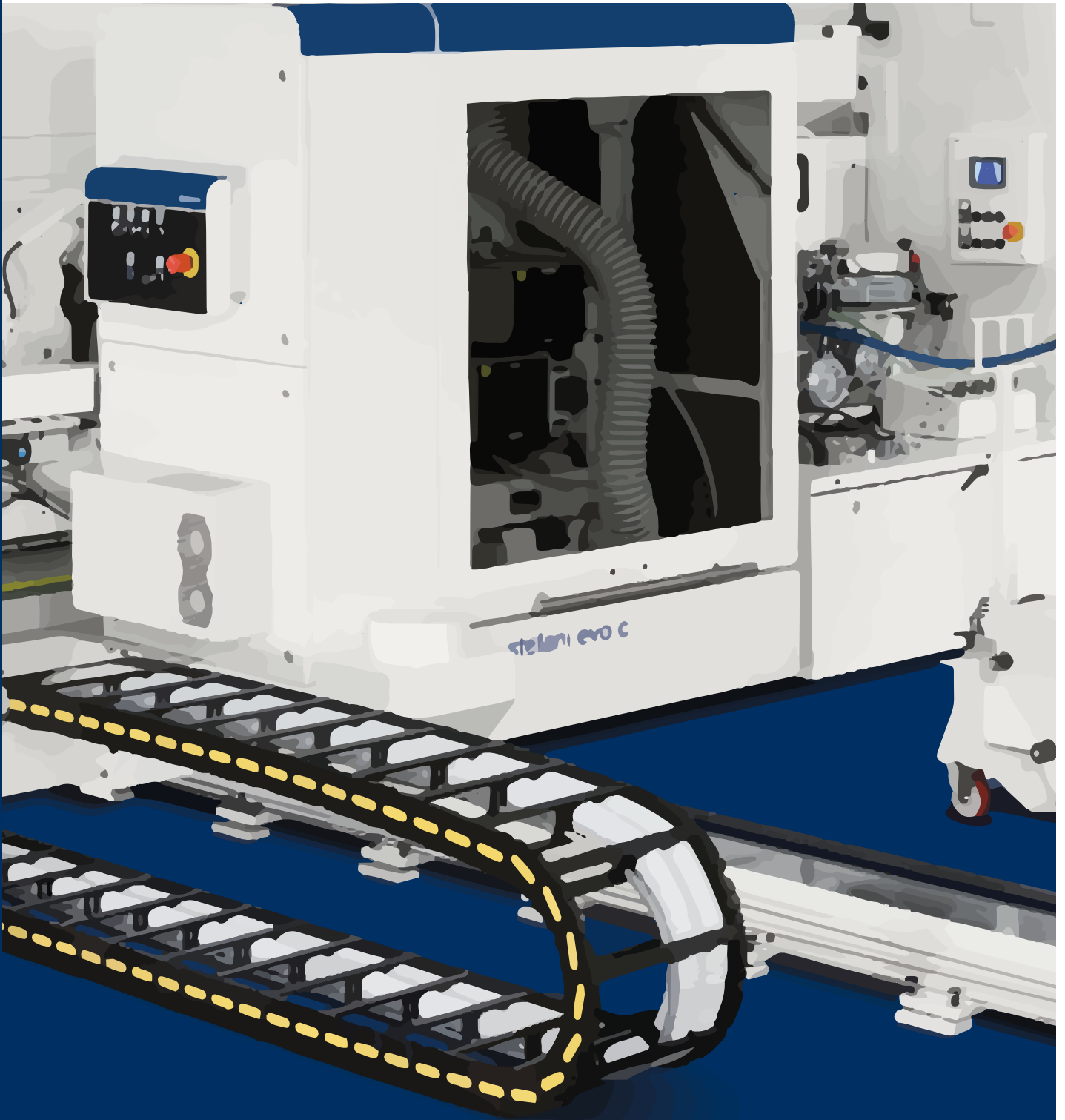


edge banders, sizing edge banders

stefani evo c

sizing edge bander for the furniture industry



stefani evo c

Sizing edge bander

GREAT OPPORTUNITIES, SMART DESIGN

The first of its kind in the market, stefani evo c continues to set new standards in build quality, design and reliability, with an improved price / performance ratio.



MACHINING AVAILABLE DEPENDING ON THE COMPOSITION:

- Panel squaring and sizing
- Edgebanding with EVA or PUR glue
- Slot machining



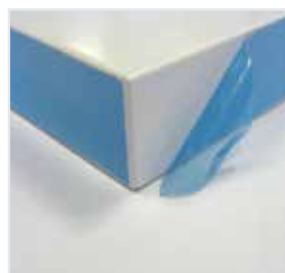
PAPER/MELAMINE



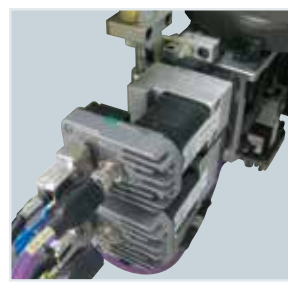
PVC/ABS



VENEER 0.6 mm



PROTECTED EDGES



*PERFECTION AS TARGET
ALREADY FROM CONTROL*



*"HEAVY DUTY" WORKING
UNITS*
*For intensive use and diverse,
high quality production.*

stefani evo c

Sizing edge bander





stefani evo c

High-performance structural and functional design



It is simple and quick to work with large components thanks to the opening of the mobile beam up to 3200 mm and the central self-centering support.



Easy internal cleaning thanks to the tidy and discreet wiring.



Trouble free production even in challenging climatic conditions thanks to the air conditioning system for electric cabinets.



Maximum comfort with interior lighting by LED.



Smooth and precise panel movement thanks to the pressure belt.



THE PERFECT PANEL RESULTS FROM DETAILS.



The panel movement, precise and constant over the years, is performed by linked chains in isotropic sintered material using high precision rolling bearings which run on rigid guides.



Guaranteed accuracy of machining thanks to the transport of the panels by dogs at a variable distance (from 400 to 900 mm) depending on the size to be processed.

stefani evo c

“Heavy Duty” working units for industrial production

GLUING UNIT



For gluing of thin edges, ABS and PVC on straight profiles.

- reduced use of the edging material thanks to the precision edge cutting device which reduces the excess edge at the front and rear of the panel;
- 4 pressure rollers with the possibility of electronic positioning;
- roll holder from 2 up to 6 coils;
- quick release glue pot, for quick and easy interchangeability of the type / color of glue.



High productivity even with thin or fragile edges thanks to the motorized feeding of the edge.



No interruption of production when changing rolls or colours thanks to 2 - 6 coil magazines. No downtime when roll is finished thanks to the control system for the quantity of edge available.



The gluing unit of the stefani evo c is available with different types of equipment to satisfy all production requirements:

- with premelting system with up to 20 Kg/h hot melt glue capacity;
- with premelting system with up to 6 Kg/h polyurethane glue capacity;
- glue spreading by slot applicator.



SGP Smart glue pot
 Always new glue available.
 Automatic glue type changeover by HMI.
 Automatic closing of the glue circuit when the machine is stopped.
 Adjustment of glue dosage. Quick and easy access to the parts for cleaning.



Glue spreading by slot applicator.

stefani evo c

“Heavy Duty” working units for industrial production



PREMILLING UNIT

The first step to a perfect joint.

Unit for squaring and perfect preparation of the panel surface before gluing.

190 mm tool diameter.



END-TRIMMING UNIT

For the removal of the excess edge from the front and rear sides of the panel.

Lateral feelers on recirculating ball linear guides with automatic activation.



TRIMMING UNIT

For the top and bottom trimming of the excess edge. Possibility of double automatic positioning. Optimized chip extraction with ED-SYSTEM.



Availability of special feelers on trimming and fine trimming units for the machining of panels coming from nesting process.



FINE TRIMMING UNIT

To finish the top and bottom of thin edges or for the fine trimming of the PVC/ABS edges. Quick release device for the tool holder + tool.



Possibility of NC side feeler to process different thicknesses or to compensate for tolerances. Availability of special feelers for the edgework of nested panels. Also available in the version with KIT MULTIEDGE NC, for an automatic change between three radii and infinite thin edges.

stefani evo c

“Heavy Duty” working units for industrial production



CORNER ROUNDING UNIT

For the rounding of the corners and for the fine trimming of the top and bottom of the edge. Equipped with four quick release motors. Also available with MULTIEDGE technology. Optimized chip extraction with ED-SYSTEM. High-quality processing even with veneer / wood edges.



EDGESCRAPING UNIT

For the finishing of PVC/ABS rounded edges. Quick release device of the tool holder+ tool. Also available with MULTIEDGE technology.



MULTIEDGE - TOP SAVING CLASS

High performance with immediate precise and repeatable process changes are possible with the MULTIEDGE class of devices, compact and lightweight.

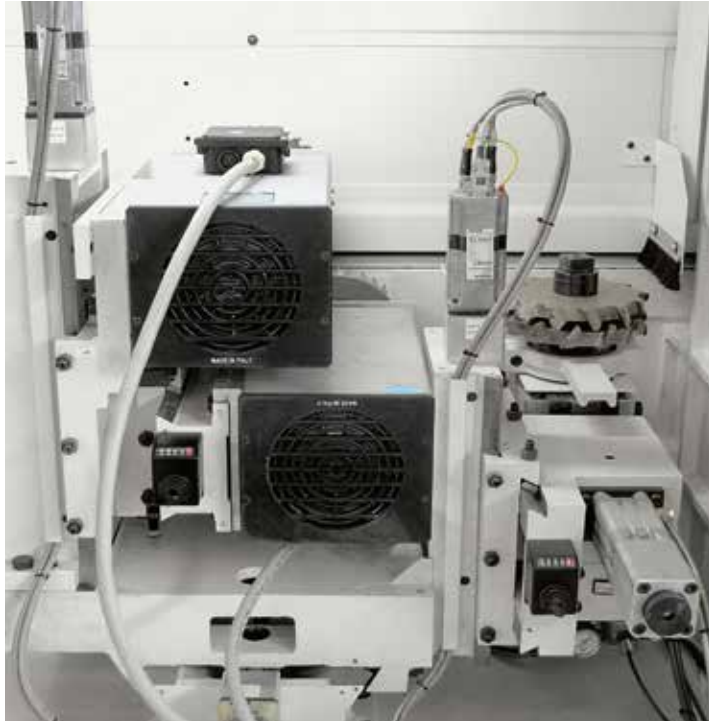


BRUSHING UNIT

For the panel cleaning and brightening of plastic edges.

stefani evo c

Optional equipment



ANTI-CHIPPING AND DOUBLE HOGGING UNITS

For the panel sizing, as alternative to the premilling unit.



ANTI-ADHESIVE UNIT FOR FREE SPACE 1-AA

Free space for anti-adhesive unit. To avoid glue deposits on the top and bottom surfaces of the panel.



SPRAY DEVICE FOR DELICATE EDGES

It facilitates the machining of panels with delicate edges or with protective films.



TRIMMING UNIT FOR FREE SPACE 1-RSP

Free space for trimming unit.

stefani evo c

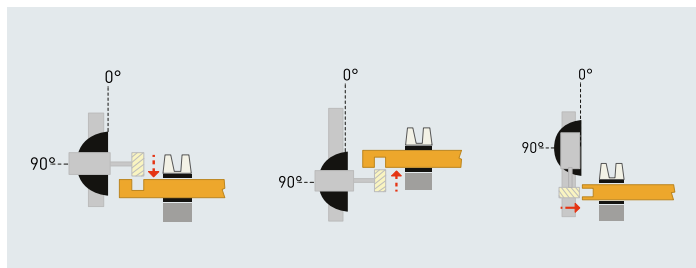
Optional equipment

GROOVING UNIT OR SANDING UNIT FOR FREE SPACE 1



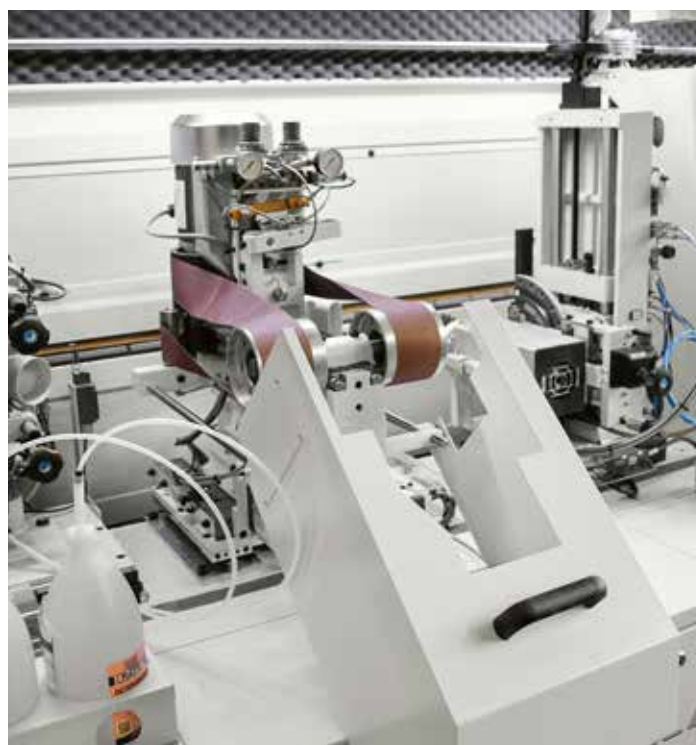
GROOVING UNIT

To process through or timed grooves on the top, bottom and sides of the panel. Quick release device for the suction hoods.



OVERLAPPED GROOVING UNIT

For the processing of two simultaneous through or timed grooves on the top and bottom of the panel.



SANDING UNIT

For finishing and preparing to the painting of wood edges.



GLUE SCRAPING UNIT FOR FREE SPACE 1/2

To remove any excess glue on the top and bottom side of the panel.
Double bearing feelers for a perfect process precision.



NEBULIZING DEVICE FOR DELICATE EDGES

To facilitate the machining of panels with delicate edges or with protective films.



SP/F BRUSHING UNIT

For the panel cleaning and the brightening of plastic edges.

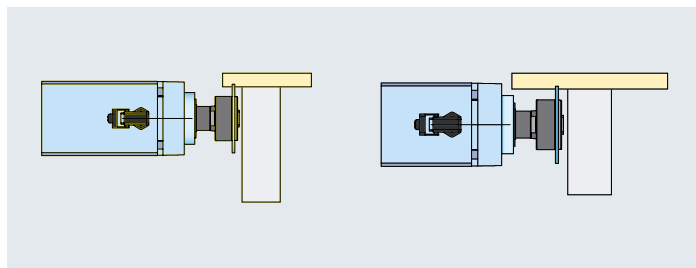
stefani evo c

Adaptive production. Your productivity as the primary objective



SUPERIOR TECHNOLOGY

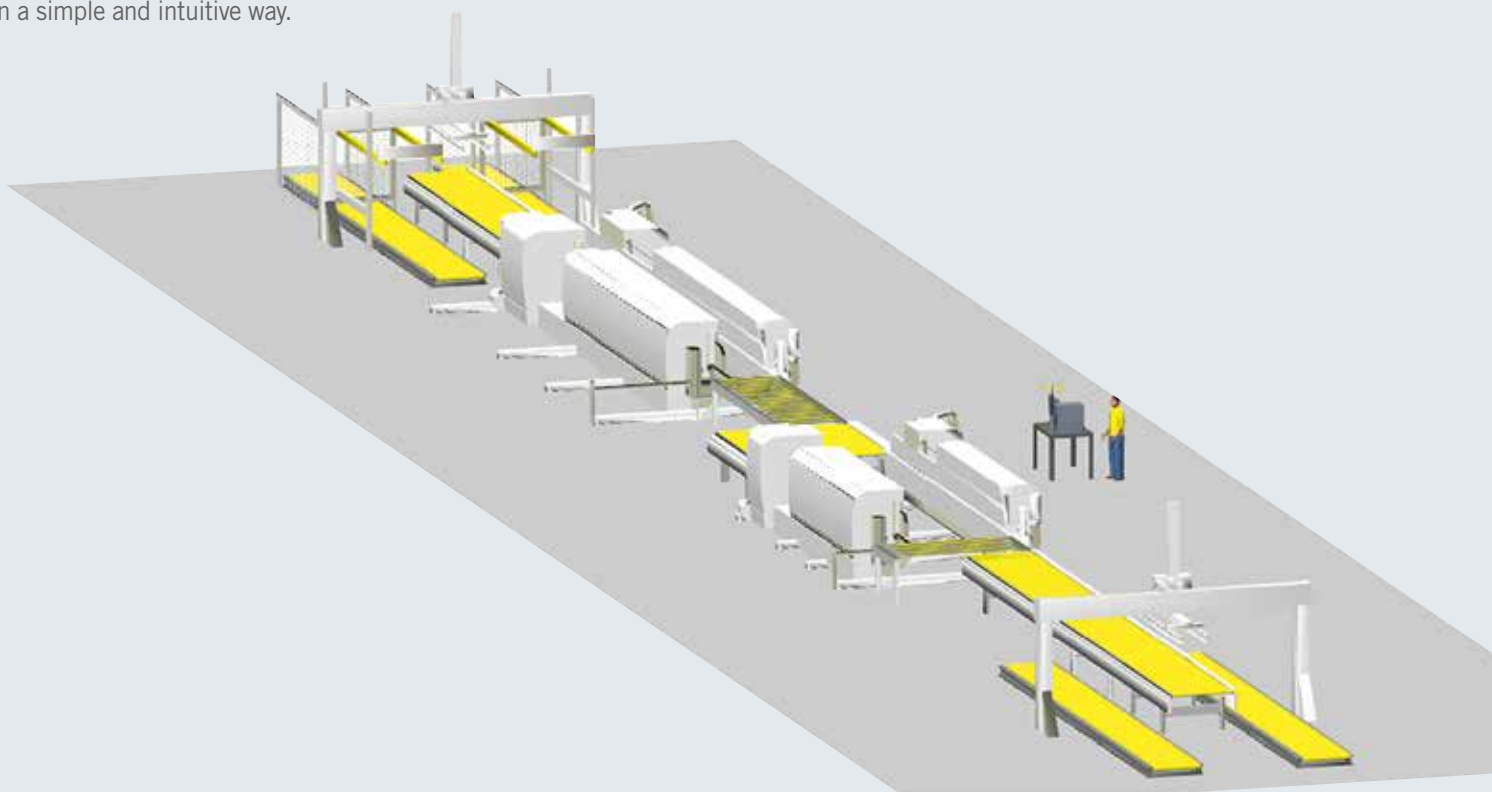
Sub-bases on every working unit with the possibility of movements on ball recirculated linear guides to facilitate grooves with different distances from the edge.



LARGE-SCALE PRODUCTION

Stefani evo c can be perfectly integrated with handling equipment to create completely automatic squareedgebanding lines for the production of large batches.

Dedicated software allows the monitoring of the entire production line in a simple and intuitive way.





M Maestro Digital Systems

SMART SOFTWARE AND DIGITAL SERVICES TO ENHANCE PRODUCTIVITY OF WOODWORKING AND FURNITURE INDUSTRIES.

> programming and data generation

Maestro office

Office

Factory

Maestro active

> edge banding

SOFTWARE

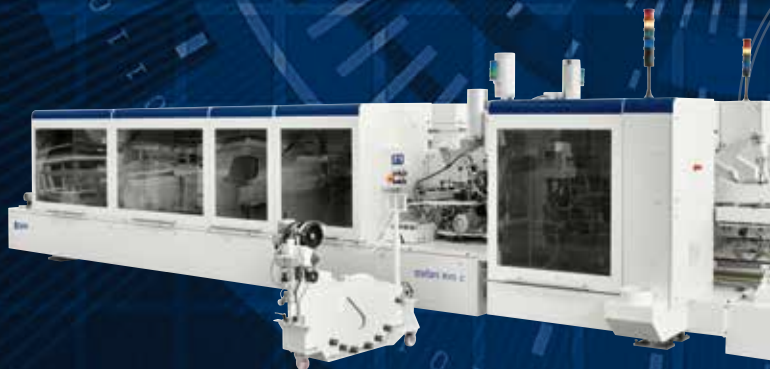
Simple, smart and open.

Maestro software are tailored on the machine technology as well as on the entire process. All Maestro software share a common mission:

easy to use, so that any operator can easily and confidently learn and use the software

smart, with algorithms and computing modules aiming at the best possible result

open in order to integrate existing software, and provide customer the coverage of all his process.



SCM accompanies woodworking companies throughout their whole process combining machines with matching software solutions and digital services, with a constant strive to enhance company productivity.

The software solutions powered by SCM are developed to optimize machine usage as well as the entire process, providing integration with the different software existing in the company.

DIGITAL SERVICES

Transforming the way it delivers services to its customers through digital technologies and particularly, the IoT platform that collects and analyses data coming from the machine, **SCM created a world of services enabled by Maestro connect.**

Meaning that connecting an SCM machine through Maestro connect will let customer subscribe a program of fast-evolving services and access a wide range of benefits that even go beyond the machine experience and will support and assist you through the whole life-cycle of your machine.

Maestro connect IoT Platform

1
Machine monitoring,
KPIs, early warning

2
Maintenance
equipment

3
Predictive
maintenance

4
Report and historical
data export to MES

5
Warranty
extension

6
Augmented
remote support

7
Smart learning,
SELF-HEALING,
video tutorials

8
Asset management
with e-shop SCM
Spare Parts



Maestro edge

Before the production, it is possible to program and generate edge banding programs directly from the office.



SOFTWARE

Office

Maestro edge

PROGRAMMING THE EDGE BANDER DIRECTLY FROM THE OFFICE

FUNCTIONS

- Display of all the information present in Maestro active edge
- Receipt of machine production reports generated by the Maestro active edge
- Remote programming with creation of new edges and tools

With the same interface of Maestro active edge, the office software Maestro edge allows you:

- edit machine programs directly from the office
- recall, view and modify existing programs in the machine

Maestro active edge

Maestro active is the new operator interface software which has been unified across all SCM technologies. A single operator can easily and confidently run multiple machines due to controller and interface consistency: regardless the machine, Maestro active maintains the same look&feel, with many identical icons and navigation buttons, thus ensuring the same approach to interaction.

EASE OF USE

The new interface has been specifically designed and optimized for immediate use via touch screen. Graphics have been redesigned for simple and comfortable navigation, with tablet-like icons on touch screen controller.

“ZERO” ERRORS

Improved productivity thanks to integrated help and recovery procedures that reduce the possibility of error from the operator's side.

SOFTWARE

Factory

Maestro active edge

A REVOLUTIONARY APPROACH TO INTERACT WITH YOUR SCM MACHINE

FULL CONTROL OF PRODUCTION PERFORMANCES

The creation of customizable reports by operator, shift, program, forecast period (and much more) allows to monitor, optimize and improve the production performance.

FULL MACHINE AWARENESS AND KNOWLEDGE MANAGEMENT SYSTEM

Maestro active allows to record the times related to setup, maintenance, training and other events, tracing all the activities in a database. The operator's know-how is also stored and made available to other people inside the organization thanks to the possibility to comment and document all production events or notifications.

ORGANIZE YOUR PRODUCTION

Maestro active allows to create different users with different roles and authorizations (e.g.: operator, maintainer, administrator, ...). Any user can only execute the functions whose permissions have been assigned to him. It is also possible to define the work shifts on the machine and then detect activities, productivity and events that occurred in each shift.

A WORLD OF SERVICES FOR GREATER EFFICIENCY

Maestro connect

CONNECT YOUR MACHINE AND GAIN ACCESS TO A WORLD OF SERVICES

Connecting your machine through IoT technology, Maestro Connect will let you subscribe a program of fast-evolving services. You will access a wide range of benefits that even go beyond the machine experience and will support and assist you through the whole life-cycle of your machine.

FASTER SERVICE INTERVENTION AND PROBLEM RESOLUTION

Maestro Connect provides real time data and Health Records of the Machine also to SCM Service drastically reducing its troubleshooting time.

WORKING ALWAYS IN PERFECT CONDITIONS

Maestro Connect can provide a full kit of sophisticated sensor devices to detect and warn the operator in case of alarming conditions of the machine.

DIGITAL SERVICES

SMART MAINTENANCE: DOWN TIME REDUCTION

Maestro Connect reduces maintenance downtime thanks to:

- Automatic maintenance notifications and scheduling, to prevent failures and work in the best conditions of use
- Direct connection to SCM Service thanks to an automatic ticket opening function

SMART MACHINE: ANYTIME, ANYWHERE AWARENESS

Connecting your SCM machine also means having your machine always at hand.

Immediate instant notifications in case of alarms or downtimes allow customers to immediately take an action thus optimizing his productivity.

SMART MANAGEMENT: PRODUCTION PERFORMANCE OPTIMIZATION

Reports and KPIs allow further analysis thus increasing Customer Knowledge about his performance and results.

SMART PARTS: FAST PARTS REPLENISHMENT

MRepairs are scheduled proactively since the system provides Spare Parts suggestions and a direct Integration with Smart Parts e-shop.

SMART LEARNING: EXECUTE WORK AND RECEIVE PROBLEM SOLVING SUPPORT

Maestro connect provides an intuitive Problem Solving Management System to help the operator to self solve any issue..

SMARTECH: FASTER AUGMENTED SUPPORT

Maestro connect allows augmented reality support by means of Smartech: the head-wearable computers with wireless connectivity that will bring the interaction between customer and SCM service to a higher level.

SMART WARRANTY: YOUR MACHINE ALWAYS IN PERFECT CONDITIONS

Together with scheduled maintenance contracts, you can take care of your asset by doubling the warranty from 1 year to 2 years* for complete peace of mind!

* Please read the complete contract to understand terms and conditions.

stefani evo c

Technical data

	stefani evo c 110	stefani evo c 115	stefani evo c 210	stefani evo c 215	stefani evo c 220
Total length (L) mm	6500	6500	8300	9200	10100

Minimum and maximum coil material thickness	mm	0,4-3
Maximum section of wood edge in coil of 2 or 3 mm	mm ²	100
Maximum panel thickness (depending on the working units fitted)	mm	10-60
Maximum panel width (first in line)	mm	1200
Maximum panel width (second in line)	mm	3200
Adjustable feed speed (depending on the working units fitted)		
• only sizing	m/min	10-40
• first in line	m/min	10-30
• second in line	m/min	10-24



ENERGY ONLY WHEN NEEDED

SavEnergy allows the operation of the devices only when really necessary. The machine automatically enters stand-by mode when there are no panels to be machined.

**COMPANY WITH
QUALITY SYSTEM
CERTIFIED BY DNV GL
= ISO 9001 =**

The technical data can vary according to the requested machine composition. In this catalogue, machines are shown with options. The company reserves the right to modify technical specifications without prior notice; the modifications do not influence the safety foreseen by the EC Norms.

Maximum noise levels measured according to the operating conditions established by EN ISO 18217:2015
Acoustic pressure in process 77 dbA (measured according to EN ISO 11202-97, uncertainty $K \leq 4$ dB)
Acoustic power in process 99 dbA (measured according to EN ISO 3746-95, uncertainty $K \leq 4$ dB)

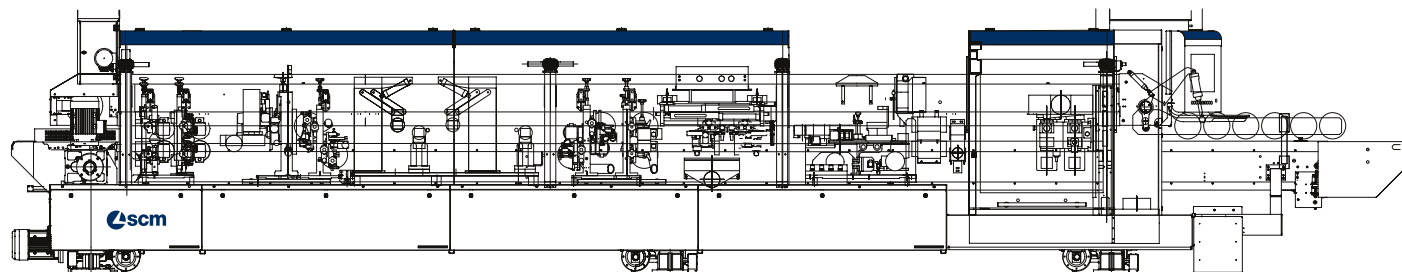
Even if there is a correlation between above mentioned "conventional" noise emission values and average levels of personal exposure over eight hours of operators, these last also depend on the real operating conditions, duration of exposure, acoustic conditions of the working environment and presence of further noise sources, this means the number of machines and other adjacent process.

stefani evo c

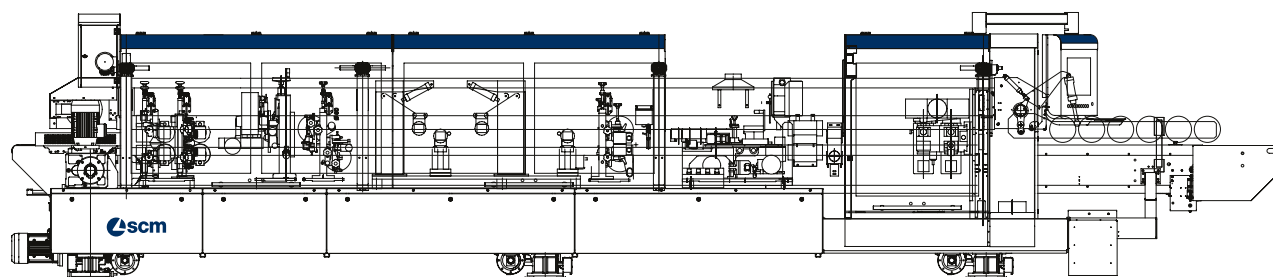
Compositions

INDUSTRIAL TECHNOLOGY IN 10 METERS

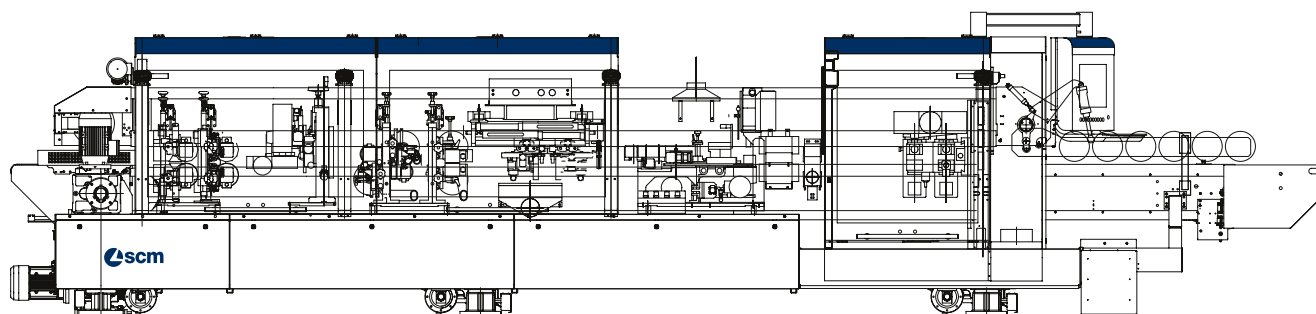
SIZING-EDGEBANDERS FOR LENGTHWISE AND CROSSWISE PROCESSING



stefani evo c 220



stefani evo c 215

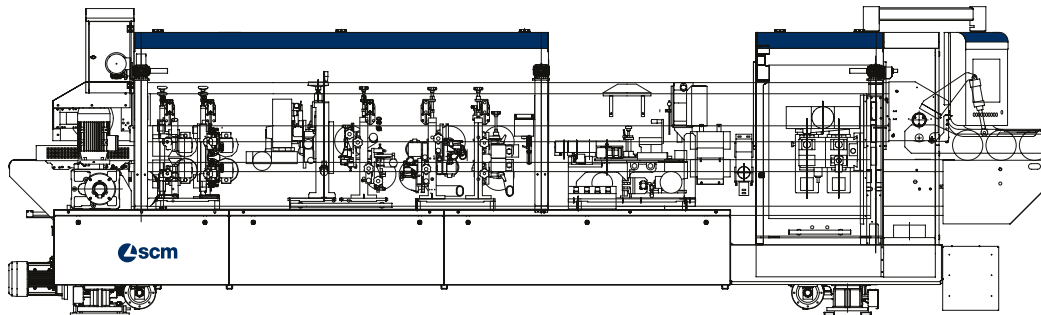


stefani evo c 210

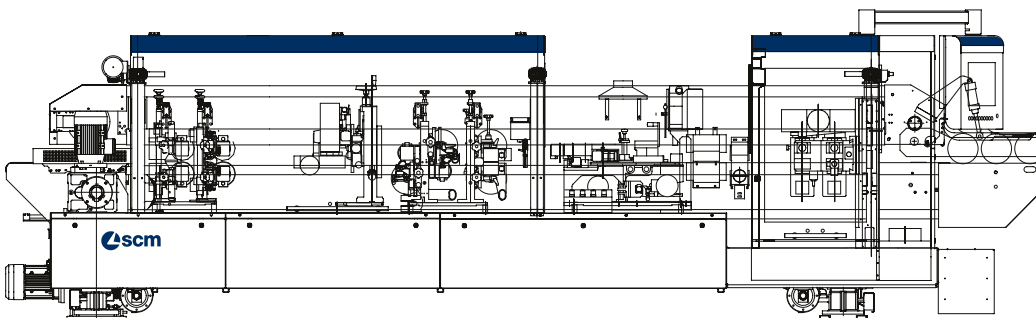
stefani evo c

Compositions

SIZING-EDGEBANDERS FOR LENGTHWISE PROCESSING



stefani evo c 115



stefani evo c 110

OPTIONAL UNITS FOR STEFANI EVO C



1-AA Free space for "AAR" spray anti-adhesion unit



1-RSP Free space for "RSP" trimming unit



1 Free space for "U" grooving unit, or "US" overlapped grooving unit or "GLC" sanding unit or



1/2 Free space for "RCA/2C" glue scraping unit



PROMPT AND EXPERT TECHNICAL SUPPORT THROUGH A NETWORK OF 1000 TECHNICIANS AND AN INVENTORY OF 36,000 SPARE PARTS.

HIGHLY SPECIALISED TECHNICIANS, EFFICIENT MANAGEMENT AND 6 SPARE PARTS BRANCHES AROUND THE WORLD GUARANTEE A CLOSE, SAFE AND EFFECTIVE TECHNICAL SUPPORT.

SERVICE

SCM provides a service that goes beyond the purchase, to guarantee the long term performance of your technological production system and peace of mind for your business.

A COMPLETE RANGE OF AFTER-SALES SERVICES

- installation and start-up of machines, cells, lines and systems
- tailored training programs
- telephone support to reduce times and costs when machines are not working
- preventive maintenance programs to guarantee long term performance
- complete renovation of machines and plants to renew the added value of the investments
- custom upgrading to update machines and plants and meet new production requirements

SPARE PARTS

SCM Group can count on 140 spare parts professionals worldwide to meet any request with real time shipments.



36,000 SPARE PARTS

Our spare parts inventory, with a value of 12 million euros, covers every single machine



SPARE PARTS GUARANTEED

We guarantee also hard to find parts, with 3,5 million euros invested in "critical" spare parts.



IMMEDIATE AVAILABILITY

Over 90% of orders received are carried out the same day thanks to the huge inventory available.



6 BRANCHES AROUND THE WORLD

The spare parts service can count on worldwide support (Rimini, Singapore, Shenzhen, Moscow, Atlanta, São Bento do Sul)



500 SHIPMENTS A DAY



THE STRONGEST WOOD TECHNOLOGIES ARE IN

SCM. A HERITAGE OF SKILLS IN A UNIQUE BRAND

Over 65 years of success gives SCM the centre stage in woodworking technology. This heritage results from bringing together the best know-how in machining and systems for wood-based manufacturing. SCM is present all over the world, brought to you by the widest distribution network in the industry.

65 years history

3 main production sites in Italy

300.000 square metres of production space

20.000 machines manufactured per year

90% export

20 foreign branches

400 agents and dealers

500 support technicians

500 registered patents

In SCM's DNA also strength and solidity of a great Group. The SCM Group is a world leader, manufacturing industrial

SCM GROUP, A HIGHLY SKILLED TEAM EXPERT IN INDUSTRIAL MACHINES

INDUSTRIAL MACHINERY

Stand-alone machines, integrated systems and services dedicated to processing a wide range of materials.



WOODWORKING
TECHNOLOGIES



TECHNOLOGIES FOR PROCESSING
COMPOSITE MATERIALS, ALUMINIUM,
PLASTIC, GLASS, STONE, METAL

OUR DNA



equipment and components for machining the widest range of materials.

AND COMPONENTS

INDUSTRIAL COMPONENTS

Technological components for the Group's machines and systems, for those of third-parties and the machinery industry.

HITECO

SPINDLES AND TECHNOLOGICAL
COMPONENTS

Les

ELECTRIC PANELS

steelmec

METALWORK

scmfonderie

CAST IRON

scm
woodworking technology

is more



SCM GROUP SPA

Via del Lavoro, 1/3 - 36016 Thiene (VI) - Italy
tel. +39 0445 359511 - fax +39 0445 359599
stefani@scmgroup.com
www.scmwood.com



00L0366219H